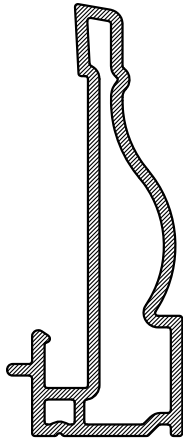


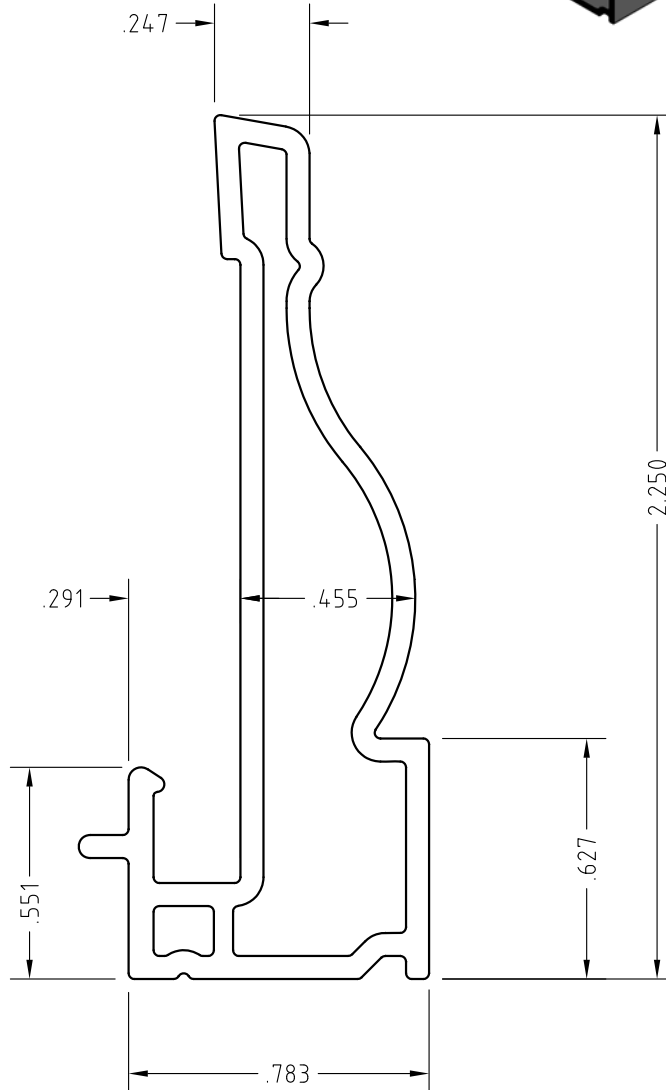
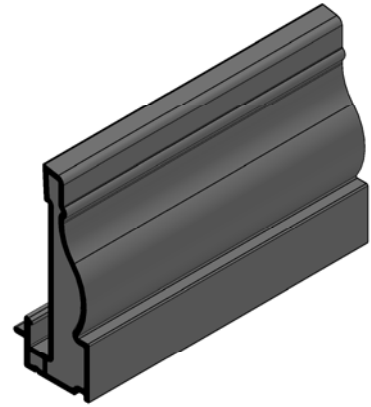
REVISIONS

A1 Current

WALL THICKNESS: UNLESS SPECIFIED
NOMINAL = 0.060"



Full Scale
Radius Detail



DECO-FLASH

4717 Oakfair Blvd.
Tampa, FL. 33610
Ph: 813-392-2827
www.deco-flash.com

This document and the Information contained is owned by and proprietary to Vislon Extrusions Limited. By receipt hereof, the holder agrees not to use the Information, disclose it to any third parties nor reproduce this document without the prior written consent of Vislon Extrusions Limited, and agrees to return this document forthwith upon request.

TOLERANCES X.XX ± 0.015 X.XXX ± 0.010 X.XXXX ± 0.005 DO NOT SCALE DRAWING ALL DIMENSIONS ARE IN INCHES U.S.S.		CUSTOMER/DESCRIPTION: <p style="text-align: center;">DECO-FLASH PROFILED BACKBAND (BB1)</p>		
SIZE: <p style="text-align: center;">"A"</p>	COLOUR: <p style="text-align: center;">As specified</p>	MATERIAL: <p style="text-align: center;">As specified</p>	TOOL NO.: <p style="text-align: center;">-</p>	DATE: <p style="text-align: center;">04/27/2016</p>
SHEET: <p style="text-align: center;">1 of 1</p>	DRAWN BY: <p style="text-align: center;">DF</p>	SCALE: <p style="text-align: center;">3 : 1</p>	PART NO.: <p style="text-align: center;">BB1</p>	DWG NO.: <p style="text-align: center;">E227A08</p>