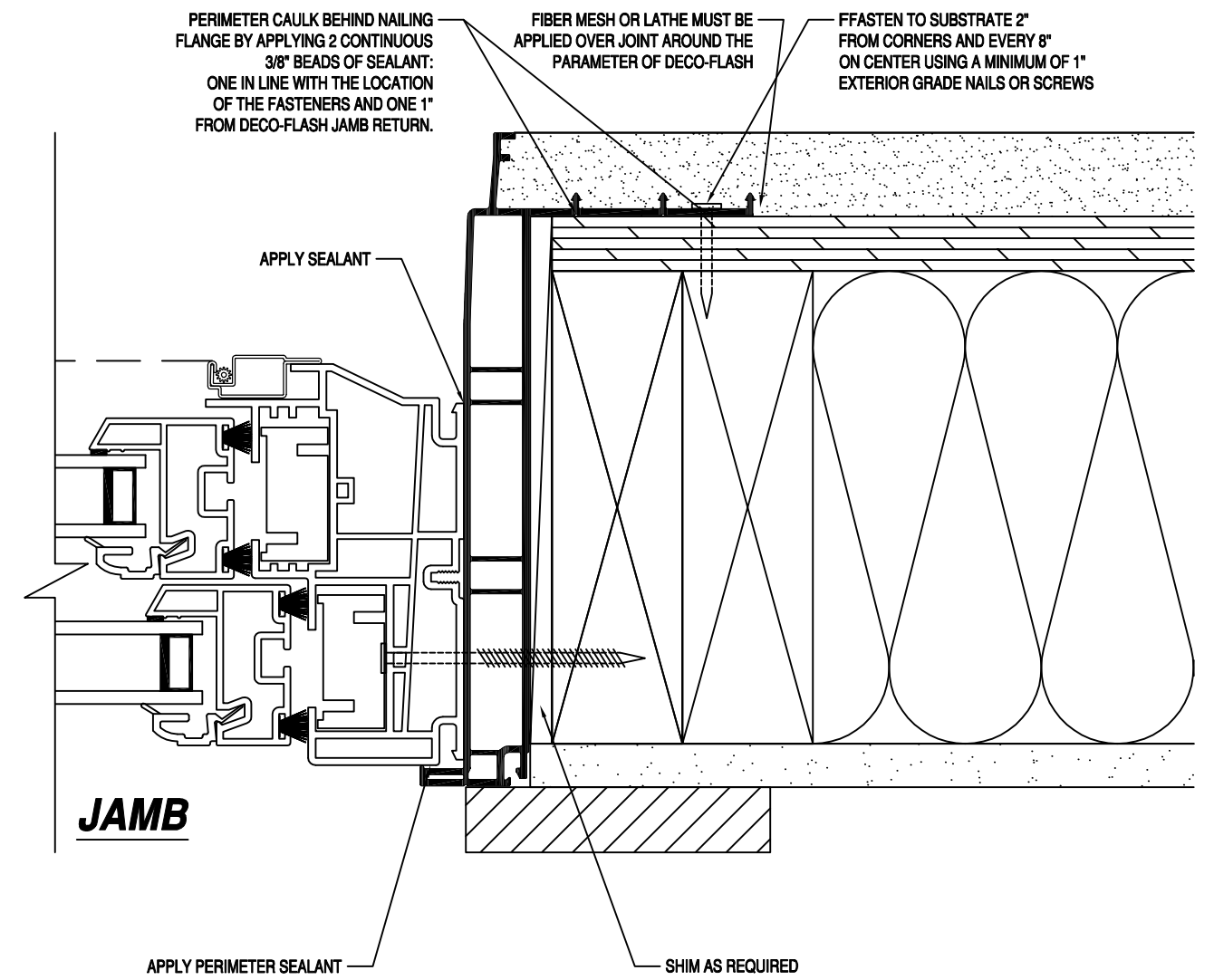
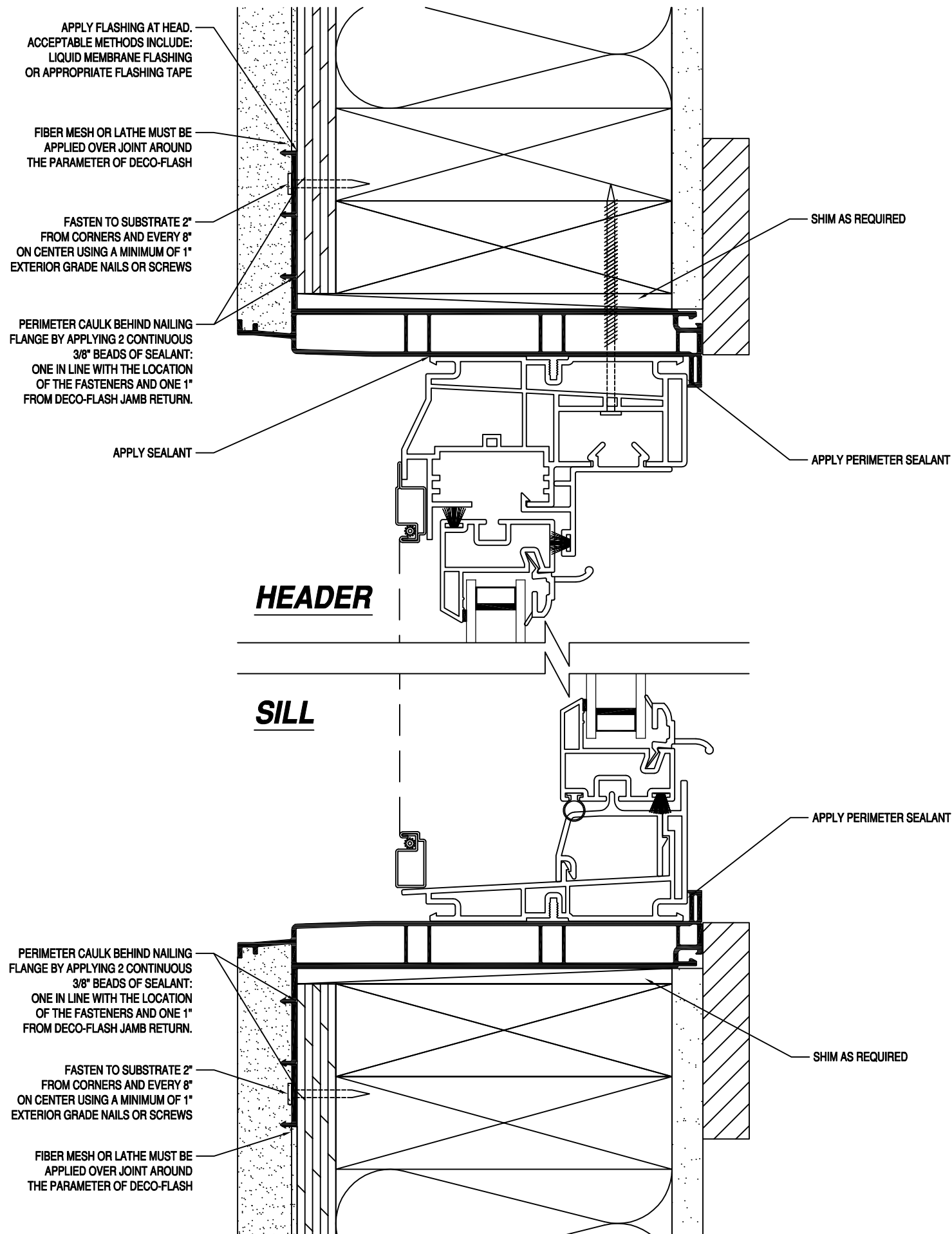


**DECO-FLASH**  
 4717 Oakfair Blvd.  
 Tampa, FL. 33610  
 Ph: 813-397-2827  
 www.deco-flash.com

This document and the information contained is owned by and proprietary to Deco-Flash. By receipt hereof, the holder agrees not to use the information, disclose it to any third parties nor reproduce this document without the prior written consent of Deco-Flash, and agrees to return this document forthwith upon request.

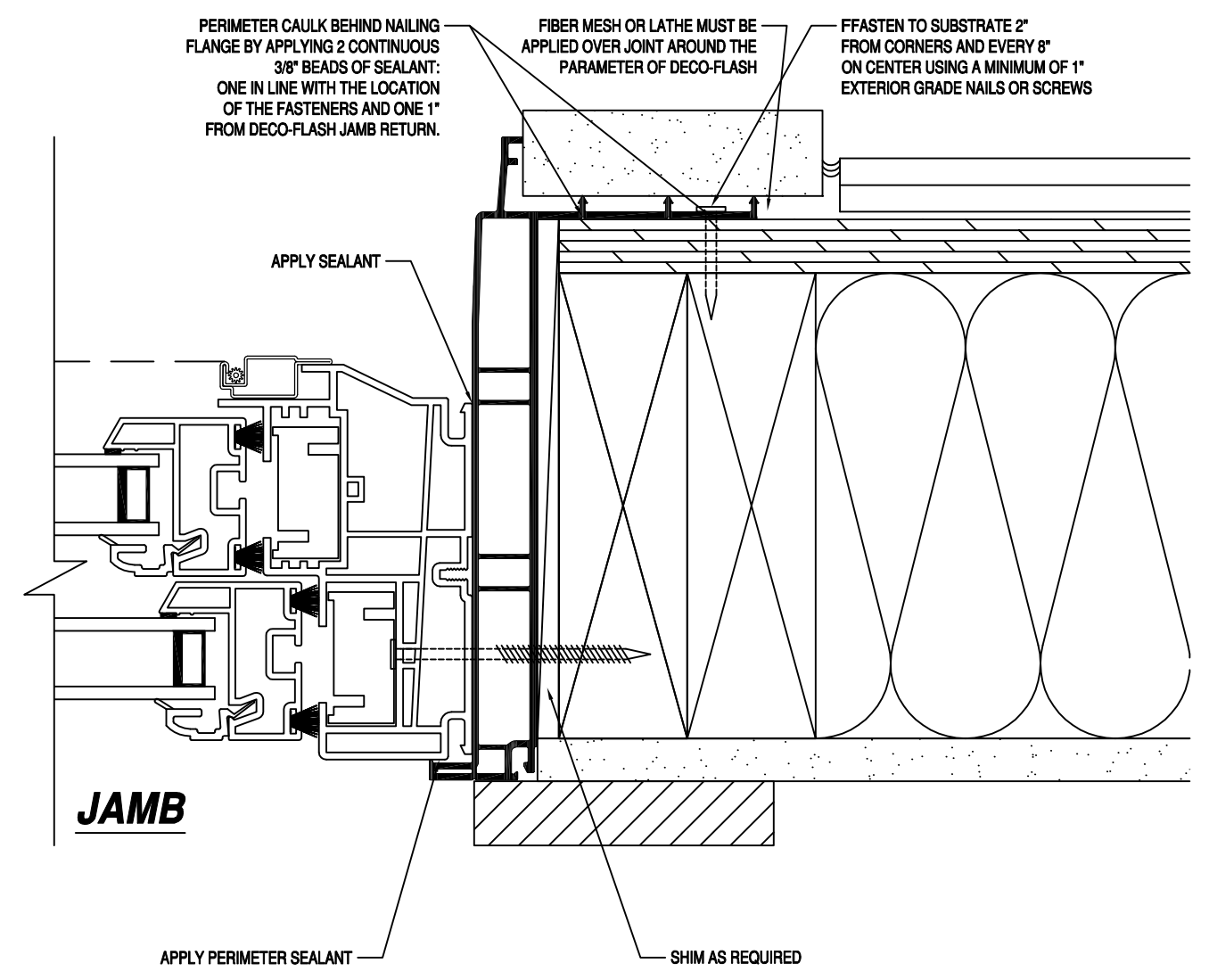
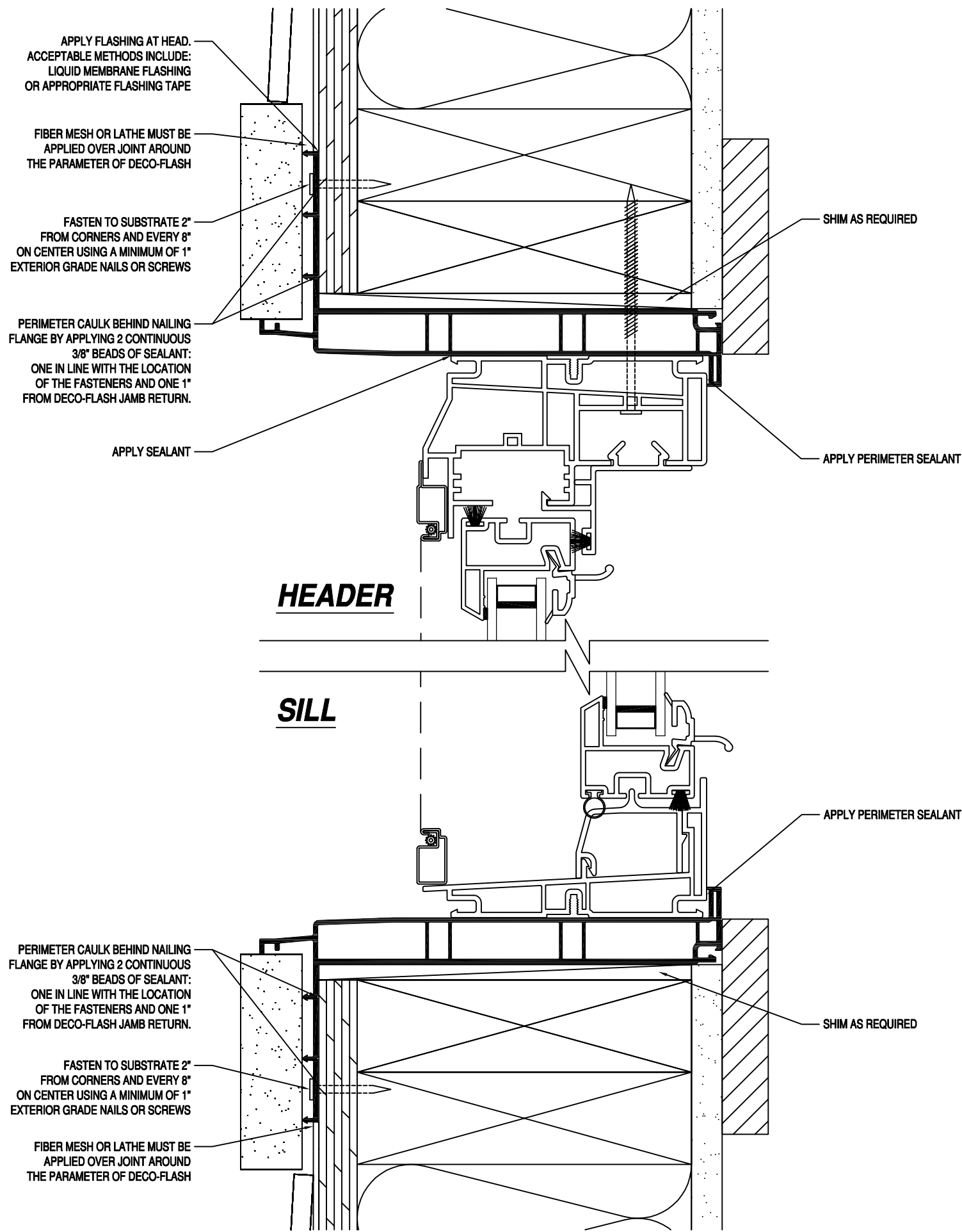
|  |                    |                                      |              |           |                     |
|--|--------------------|--------------------------------------|--------------|-----------|---------------------|
| <b>TOLERANCES</b><br>X.XX ± 0.015<br>X.XXX ± 0.010<br>X.XXXX ± 0.005 |                    | <b>CUSTOMER:</b><br>DECO-FLASH       |              |           |                     |
| DO NOT SCALE DRAWING<br>ALL DIMENSIONS ARE IN INCHES U.O.S.          |                    | <b>PART:</b><br>(J65) MASONRY/STUCCO |              |           |                     |
| SIZE:<br>17x11   | COLOUR:<br>VARIOUS | MATERIAL:<br>RIGID PVC               | AREA:<br>- 2 | TOOL NO.: | DATE:<br>10-01-2016 |
| SHEET:<br>1 of 1   | DRAWN BY:<br>-     | SCALE:<br>1 : 2                      | VOLUME:<br>- | PART NO.: | DWG NO.:            |
|  |                    |                                      |              | J65       | J65/M/S             |



**DECO-FLASH**  
 4717 Oakfair Blvd.  
 Tampa, FL. 33610  
 Ph: 813-397-2827  
 www.deco-flash.com

This document and the information contained is owned by and proprietary to Deco-Flash. By receipt hereof, the holder agrees not to use the information, disclose it to any third parties nor reproduce this document without the prior written consent of Deco-Flash, and agrees to return this document forthwith upon request.

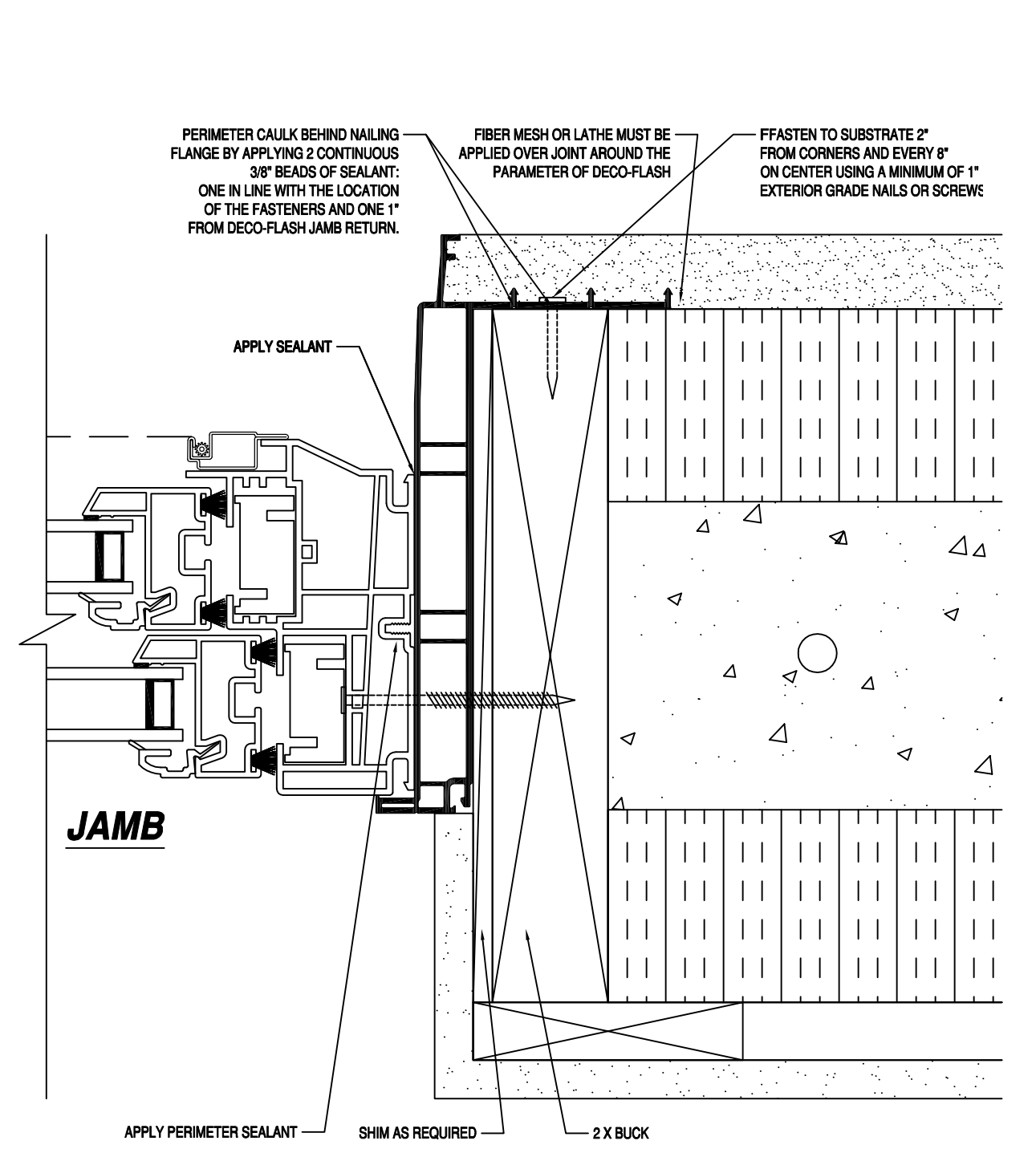
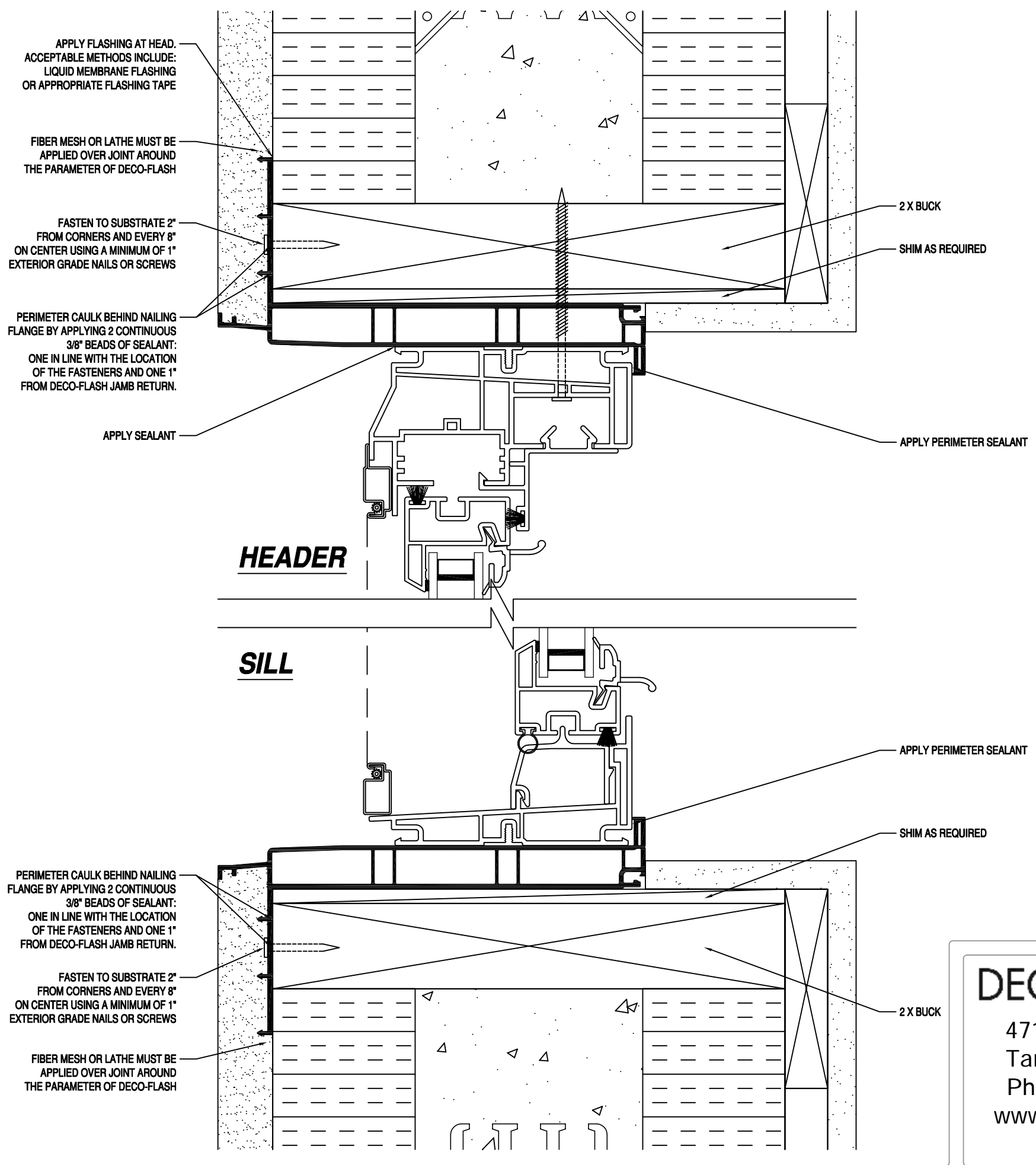
|   |                  |                           |                |                  |                 |
|---|------------------|---------------------------|----------------|------------------|-----------------|
| <b>TOLERANCES</b>   |                  | <b>CUSTOMER:</b>          |                |                  |                 |
| X.XX ± 0.015  |                  | <b>DECO-FLASH</b>         |                |                  |                 |
| X.XXX ± 0.010   |                  | <b>PART:</b>              |                |                  |                 |
| X.XXXX ± 0.005  |                  | <b>(J65) FRAME/STUCCO</b> |                |                  |                 |
| <small>DO NOT SCALE DRAWING ALL DIMENSIONS ARE IN INCHES U.O.S.</small> |                  |                           |                |                  |                 |
| <b>SIZE:</b>  | <b>COLOUR:</b>   | <b>MATERIAL:</b>          | <b>AREA:</b>   | <b>TOOL NO.:</b> | <b>DATE:</b>    |
| 17x11   | VARIOUS          | RIGID PVC                 | - 2            | -                | 10-01-2016      |
| <b>SHEET:</b>   | <b>DRAWN BY:</b> | <b>SCALE:</b>             | <b>VOLUME:</b> | <b>PART NO.:</b> | <b>DWG NO.:</b> |
| 1 of 1  | -                | 1 : 2                     | -              | J65              | J65/F/S         |



**DECO-FLASH**  
 4717 Oakfair Blvd.  
 Tampa, FL. 33610  
 Ph: 813-397-2827  
 www.deco-flash.com

This document and the information contained is owned by and proprietary to Deco-Flash. By receipt hereof, the holder agrees not to use the information, disclose it to any third parties nor reproduce this document without the prior written consent of Deco-Flash, and agrees to return this document forthwith upon request.

|                             |  |                               |                |                  |                 |                  |              |
|-----------------------------|--|-------------------------------|----------------|------------------|-----------------|------------------|--------------|
| <b>TOLERANCES</b>           |  | <b>CUSTOMER:</b>              |                |                  |                 |                  |              |
| X.XX ± 0.015                |  | <b>DECO-FLASH</b>             |                |                  |                 |                  |              |
| X.XXX ± 0.010               |  | <b>PART:</b>                  |                |                  |                 |                  |              |
| X.XXXX ± 0.005              |  | <b>(J65) FRAME/LAP SIDING</b> |                |                  |                 |                  |              |
| <b>DO NOT SCALE DRAWING</b> | <b>ALL DIMENSIONS ARE IN INCHES U.S.S.</b> | <b>SIZE:</b>                  | <b>COLOUR:</b> | <b>MATERIAL:</b> | <b>AREA:</b>    | <b>TOOL NO.:</b> | <b>DATE:</b> |
|                             |  | 17x11                         | VARIOUS        | RIGID PVC        | - 2             | -                | 10-01-2016   |
| <b>SHEET:</b>               | <b>DRAWN BY:</b>                           | <b>SCALE:</b>                 | <b>VOLUME:</b> | <b>PART NO.:</b> | <b>DWG NO.:</b> |                  |              |
| 1 of 1                      | -  | 1 : 2                         | -              | J65              | J65/F/LS        |                  |              |



**DECO-FLASH**  
 4717 Oakfair Blvd.  
 Tampa, FL. 33610  
 Ph: 813-397-2827  
 www.deco-flash.com

This document and the information contained is owned by and proprietary to Deco-Flash. By receipt hereof, the holder agrees not to use the information, disclose it to any third parties nor reproduce this document without the prior written consent of Deco-Flash, and agrees to return this document forthwith upon request.

|   |                 |  |           |               |                    |
|---|-----------------|--|-----------|---------------|--------------------|
| <b>TOLERANCES</b><br>X.XX ± 0.015<br>X.XXX ± 0.010<br>X.XXXX ± 0.005<br><small>DO NOT SCALE DRAWING ALL DIMENSIONS ARE IN INCHES U.S.S.</small> |                 | CUSTOMER: <b>DECO-FLASH</b><br>PART: <b>(J65) ICF/STUCCO</b> |           |               |                    |
| SIZE: 17x11   | COLOUR: VARIOUS | MATERIAL: RIGID PVC  | AREA: - 2 | TOOL NO.: -   | DATE: 10-01-2016   |
| SHEET: 1 of 1   | DRAWN BY: -     | SCALE: 1 : 2   | VOLUME: - | PART NO.: J65 | DWG NO.: J65/ICF/S |