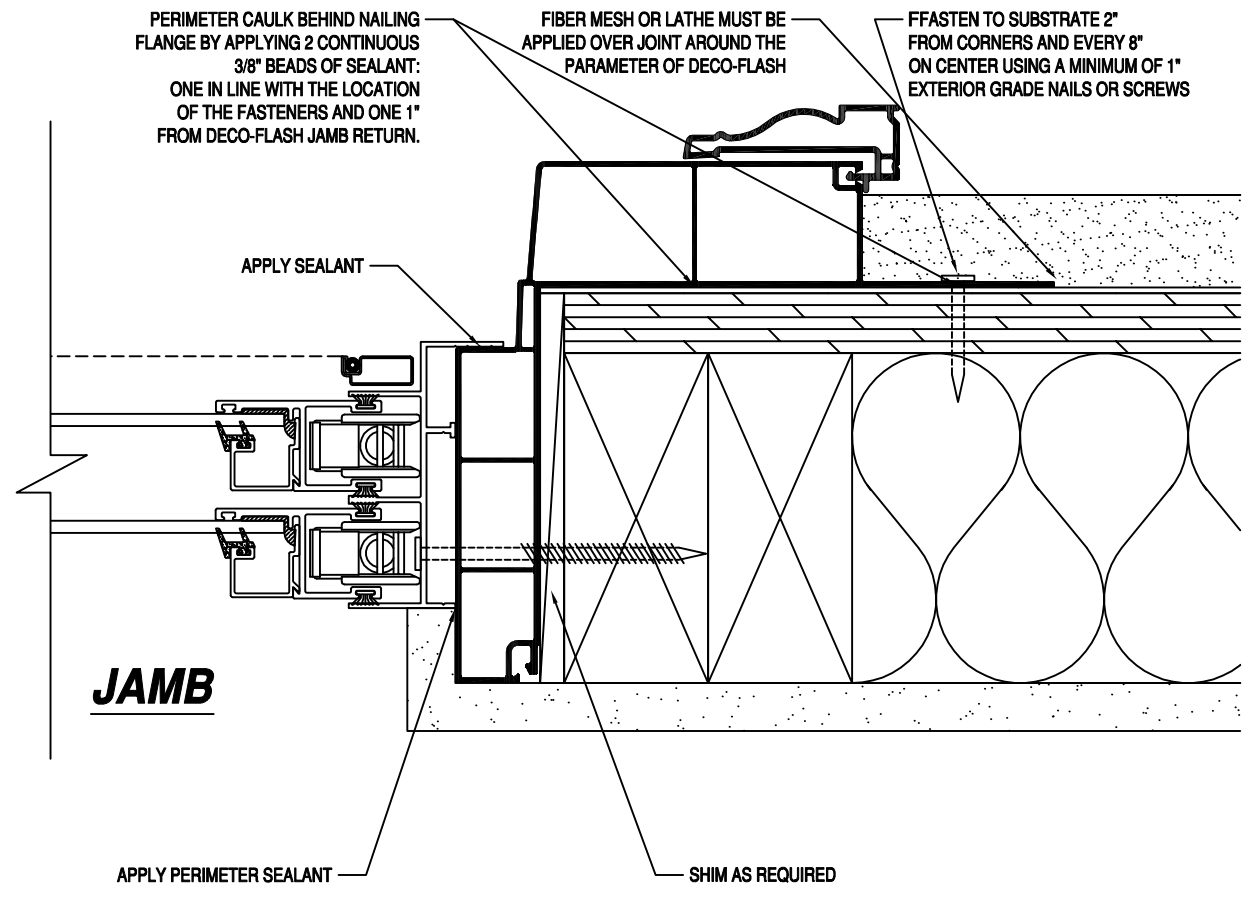
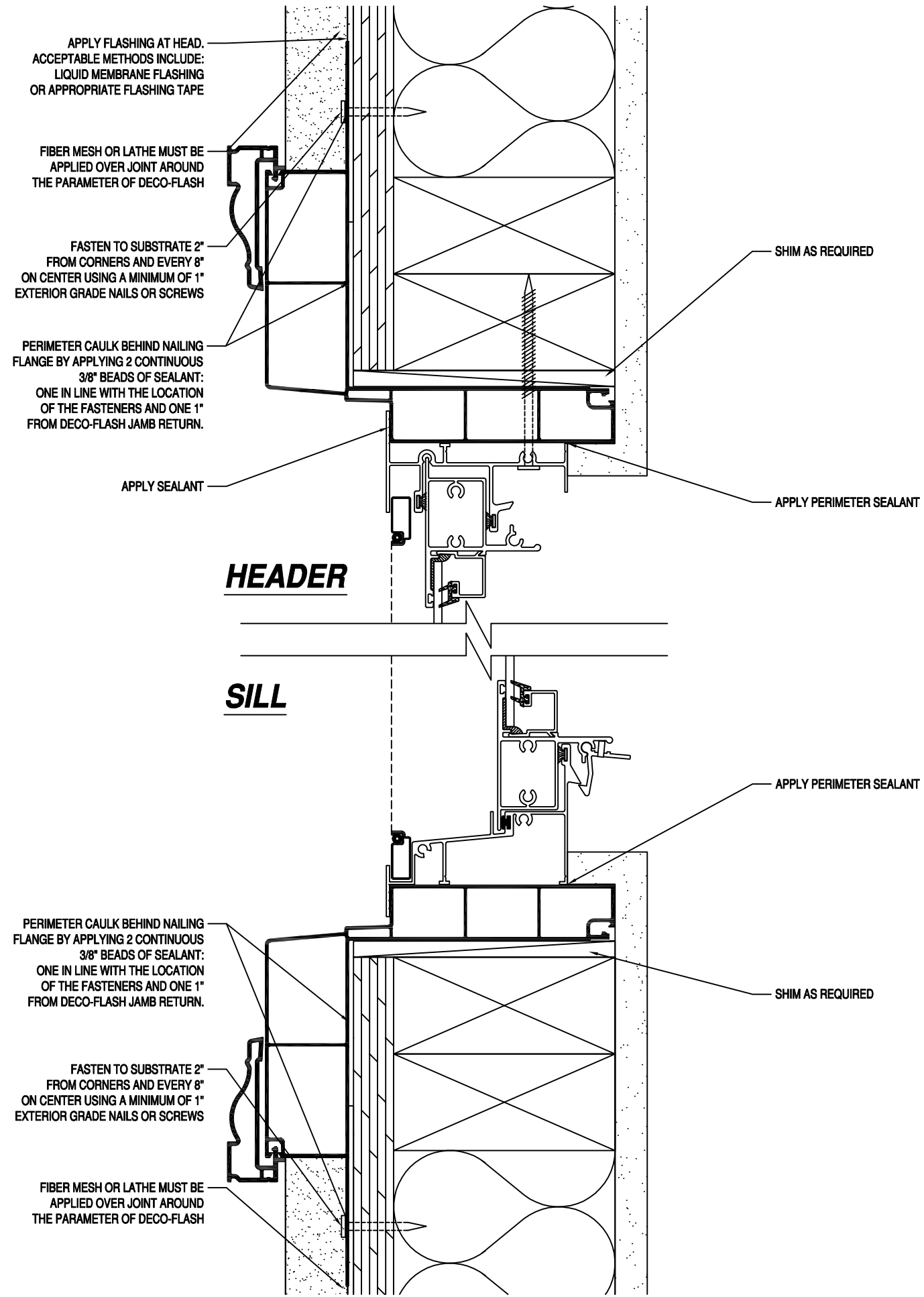


DECO-FLASH
 4717 Oakfair Blvd.
 Tampa, FL. 33610
 Ph: 813-397-2827
 www.deco-flash.com

This document and the information contained is owned by and proprietary to Deco-Flash. By receipt hereof, the holder agrees not to use the information, disclose it to any third parties nor reproduce this document without the prior written consent of Deco-Flash, and agrees to return this document forthwith upon request.

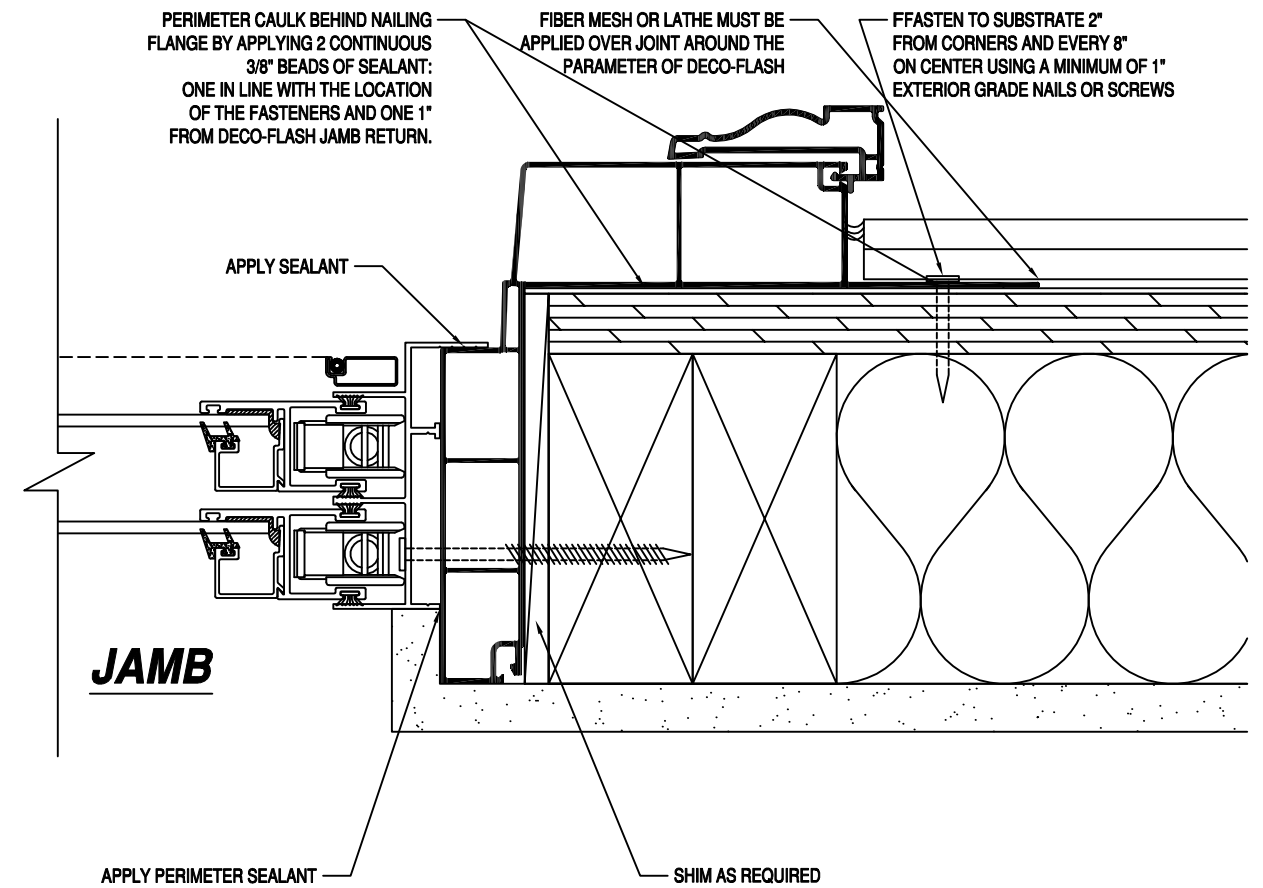
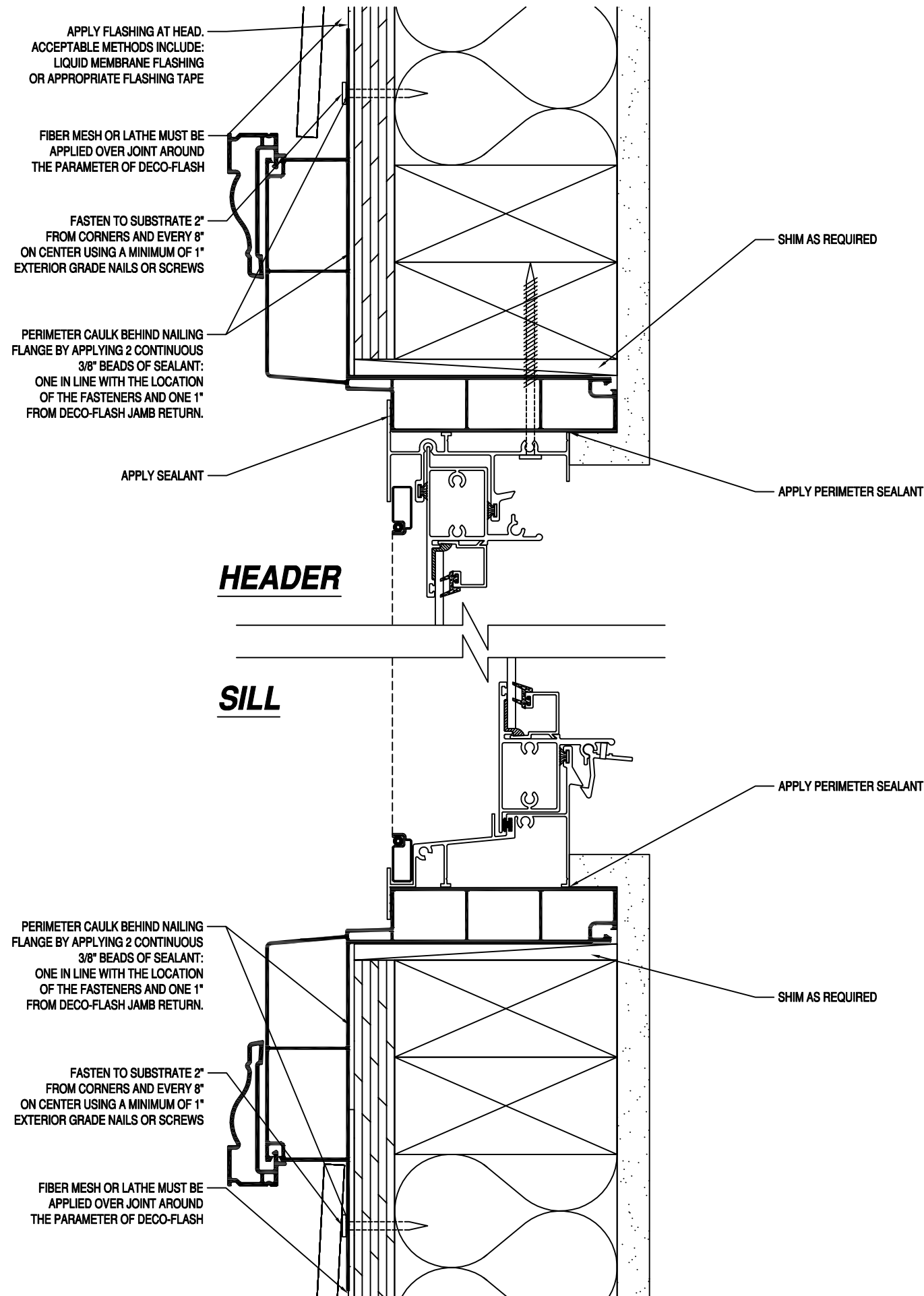
TOLERANCES X.XX ± 0.015 X.XXX ± 0.010 X.XXXX ± 0.005 <small>DO NOT SCALE DRAWING ALL DIMENSIONS ARE IN INCHES U.O.S.</small>		CUSTOMER: DECO-FLASH PART: (FC418/BB1) MASONRY/STUCCO			
SIZE:	COLOUR: VARIOUS	MATERIAL: RIGID PVC	AREA: 2	TOOL NO.:	DATE: 01-01-2017
SHEET: 1 of 1	DRAWN BY:	SCALE: 1 : 2	VOLUME: -	PART NO.:	DWG NO.: FC418/BB1 FC418/BB1/M/S



DECO-FLASH
 4717 Oakfair Blvd.
 Tampa, FL. 33610
 Ph: 813-397-2827
 www.deco-flash.com

This document and the information contained is owned by and proprietary to Deco-Flash. By receipt hereof, the holder agrees not to use the information, disclose it to any third parties nor reproduce this document without the prior written consent of Deco-Flash, and agrees to return this document forthwith upon request.

TOLERANCES X.XX ± 0.015 X.XXX ± 0.010 X.XXXX ± 0.005 <small>DO NOT SCALE DRAWING ALL DIMENSIONS ARE IN INCHES U.S.S.</small>		CUSTOMER: DECO-FLASH PART: (FC418/BB1) FRAME/STUCCO			
SIZE:	COLOUR: VARIOUS	MATERIAL: RIGID PVC	AREA: 2	TOOL NO.:	DATE: 01-01-2017
SHEET: 1 of 1	DRAWN BY:	SCALE: 1 : 2	VOLUME: -	PART NO.: FC418/BB1	DWG NO.: FC418/BB1/F/S



DECO-FLASH
 4717 Oakfair Blvd.
 Tampa, FL. 33610
 Ph: 813-397-2827
 www.deco-flash.com

This document and the information contained is owned by and proprietary to Deco-Flash. By receipt hereof, the holder agrees not to use the information, disclose it to any third parties nor reproduce this document without the prior written consent of Deco-Flash, and agrees to return this document forthwith upon request.

TOLERANCES		CUSTOMER:			
X.XX ± 0.015		DECO-FLASH			
X.XXX ± 0.010		PART:			
X.XXXX ± 0.005		(FC418/BB1) FRAME/LAP SIDING			
DO NOT SCALE DRAWING ALL DIMENSIONS ARE IN INCHES U.O.S.	SIZE:	COLOUR:	MATERIAL:	AREA:	TOOL NO.:
		VARIOUS	RIGID PVC	- 2	-
	SHEET:	DRAWN BY:	SCALE:	VOLUME:	PART NO.:
	1 of 1		1 : 2	-	FC418/BB1
					DATE: 01-01-2017
					DWG NO.:
					FC418/BB1/F/LS